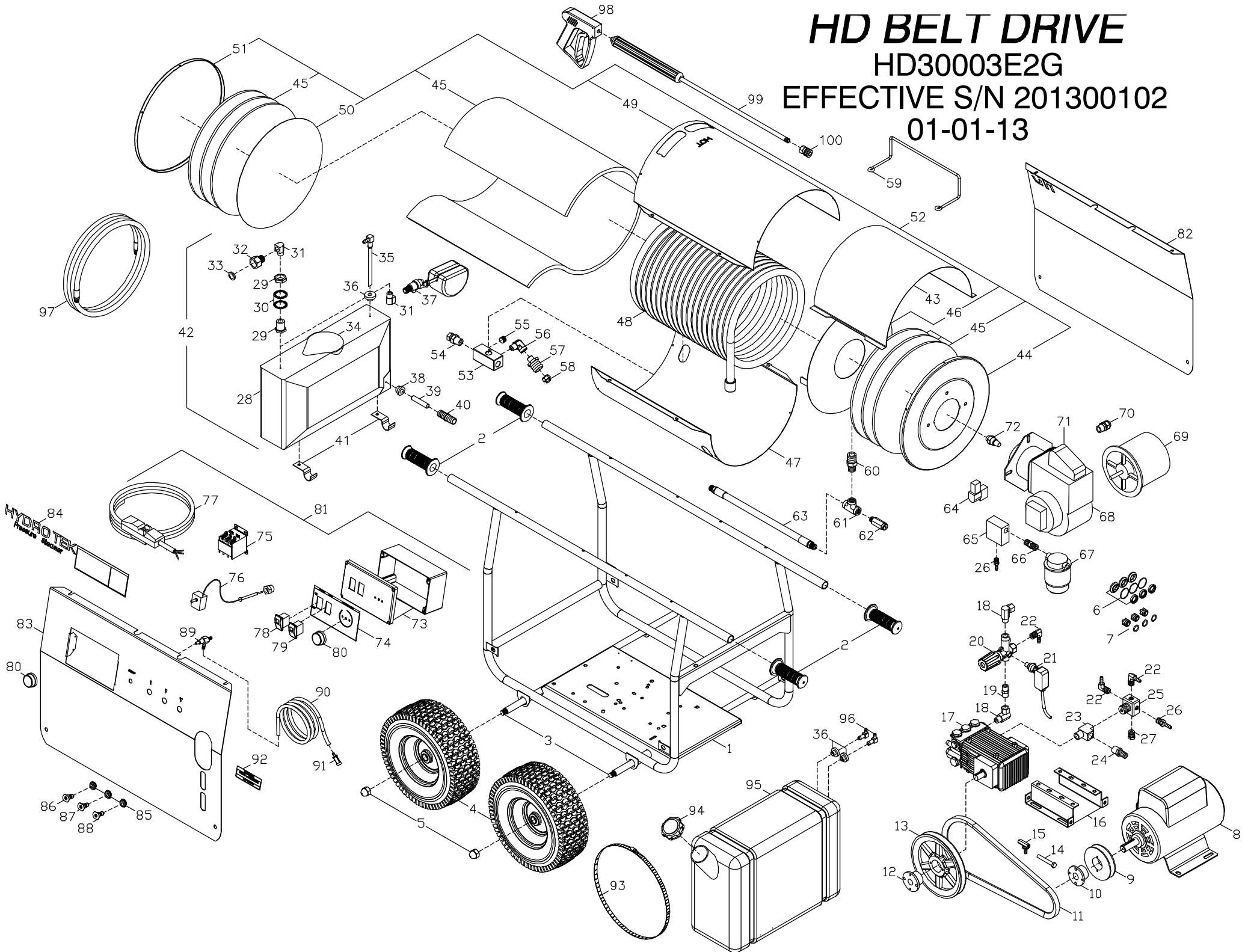


# HD BELT DRIVE

## HD30003E2G

### EFFECTIVE S/N 201300102

### 01-01-13



# HD30003E2G (BELT DRIVE) PARTS LIST

S/N 201300102

1-Jan-13

|    |       |  |    |        |  |     |       |   |
|----|-------|--|----|--------|--|-----|-------|---|
| 1  | HHD00 | HD FRAME STAINLESS                     | 35 | DF599  | FUEL TANK ADAPTER W/PLASTIC TUBE             | 69  | BM562 | BURNER MOTOR 220V BECKET                |
| 2  | HL010 | HAND GRIP 1in MX                       | 36 | DFF04  | FUEL TANK BUSHING 1/4                        | 70  | EWC08 | STRAIN RELIEF 1/2" HEYCO (3/8)          |
| 3  | SR625 | ROD, THREADED 5/8 ZINC PLATED          | 37 | VVF08  | FLOAT VALVE 3/8" BRASS                       |     |       |   |
| 4  | HT127 | WHEEL&TIRE TURF 13x5.00-6 3/4 GREY     | 38 | DFF10  | WATER TANK BUSHING 5/8"                      | 71  | BMT25 | IGNTN TRANSFORMER-IRON CORE 240V BECKET |
| 5  | FNA09 | NUT ACORN 5/8-11 ACRON STNLS           | 39 | VF050  | STRAINER TUBE FOR FLOAT TANK                 | 72  | BZ175 | FUEL NOZZLE 1.75 80B                    |
| 6  | K161  | PACKING KIT; 18MM                      | 40 | D1010  | SPLICER 5/8 BRASS                            | 73  | HHD52 | ELECT BOX HD LASER CUT                  |
| 7  | K167  | PACKING ASSEMBLY; 18MM                 |    |        |  | 74  | GLL82 | LABEL CONTROL HD                        |
| 8  | ME606 | MOTOR 6.5 HP230 1PH 3450 MT 3          | 41 | HH310  | FLOAT TANK HINGE (SSTEEL) ASM                | 75  | ECC21 | CONTACTOR 40AMP 240V 3 POLE DE          |
| 9  | KT034 | SHEAVE BK34H                           | 42 | WT050  | FLOAT TANK ASM W/VALVE SPECIFY               | 76  | ECH50 | THERMOSTAT 60-250 1 GP PART=25          |
| 10 | KSH12 | BUSHING H 3/4                          | 43 | HHD05  | HD/SM BURNER RAIN GUARD                      | 77  | EP125 | GFI CORD 240V 30AMP                     |
|    |       |  | 44 | B0304  | COIL HEAD 2012 BURNER END BC300              | 78  | EC421 | ROCKER SWITCH 230V CLEAR                |
| 11 | KSB32 | BELT BX32                              | 45 | BN053  | INSUL BLKT 50SQ' 1/2 x 24 8#25'              | 79  | EC420 | ROCKER SWITCH 230V RED                  |
| 12 | KSH19 | BUSHING H x 24MM                       | 46 | BN305  | DISC RETAINER 13.00 OD w/ 4.38 HOLE BURNER E | 80  | ECH70 | KNOB; BLUE .25 x 1.50OD                 |
| 13 | KT080 | SHEAVE BK80H                           | 47 | B0314  | COIL WRAP BOTTOM 1 PASS 2012 BC300           |     |       |   |
| 14 | FB641 | BOLT 3/8" x 2.50" PLD ALLTHREAD        | 48 | BC144  | COIL 4PK SINGLE PASS 13.00 OD NEW 2012 HT M  | 81  | EHD62 | HD PUMP BOX ASSM 6HP 230V 1PH           |
| 15 | HPR60 | PUMP RAIL BOLT                         | 49 | B0313  | COIL WRAP TOP 1 PASS SH-HD 2012 BC300        | 82  | HHD31 | HD REAR PANEL                           |
| 16 | HPR10 | PUMP ANGLE RAIL AR 4000 10GA           | 50 | BN327  | INSUL DISC RETAINER 13.00 DIA 2012 BC300     | 83  | HHD30 | HD CONTROL PANEL                        |
| 17 | PG350 | PUMP 3.5 @2500 24MM SHAFT              |    |        |  | 84  | GLL75 | LABEL HYDRO TEK 34 x 3.00               |
| 18 | DE866 | SWIVEL 3/8"F x 3/8"M 90                | 51 | B0303  | COIL CAP OUTLET 14.50 2012 BC300 OUTLET SIDE | 85  | HLB09 | NOZZEL GROMET HOLDER                    |
| 19 | DB506 | NIPPLE 3/8" STEEL                      | 52 | BC300P | COIL ASM SINGLE PASS 4PK 2012 HD-SH          | 86  | NQ352 | NOZZLE/QDC 035 x 15                     |
| 20 | UU260 | UNLOADER, ST261 NO SWITCH              | 53 | HHA10  | BLOCK 1.5 x 1.5 x 3.5 OUTLET                 | 87  | NQ354 | NOZZLE/QDC 035 x 40                     |
|    |       |  | 54 | DE568  | SWIVEL 3/8"F x 1.2"M STEEL                   | 88  | NQ303 | NOZZLE/QDC 03 x 25                      |
| 21 | VS030 | PRESSURE SWITCH 4000 PA/PR16           | 55 | D1061  | PLUG 3/8" FLUSH HEAD HEX STEEL               | 89  | VVC10 | CHEMICAL MET VALVE MV-100 MOD           |
| 22 | D8040 | HOSE BARB 1/4" 90 ELBOW                | 56 | DC568  | STREET ELL 3/8 STEEL FORGED ON               | 90  | DHB04 | TUBING; CLEAR BRAIDED 1/4               |
| 23 | D6588 | STREET TEE 1/2" BRASS                  | 57 | UPB05  | ADAPTER FITTING-BURST DISC                   |     |       |   |
| 24 | D8072 | HOSE BARB 5/8H x 1/2M .281id BLUE      | 58 | UPB80  | BURST DISC 8000psi TORQUE 32-4               | 91  | VF045 | STRAINER CHEMICAL w/CHECK               |
| 25 | HHA05 | MINI MAN IFOLD-BRASS                   | 59 | HHP29  | WIRE HOSE HOOK-ZINC PLATED                   | 92  | GLL20 | LABEL DIESEL FUEL ONLY                  |
| 26 | D8044 | BARB, HOSE 1/4" BRASS                  | 60 | DB507  | NIPPLE 3/8" x 1/2" STEEL                     | 93  | FC074 | WORM GEAR CLAMP 2 1/2 x 13 1/4          |
| 27 | D1040 | PLUG 1/4" BRASS                        |    |        |  | 94  | WT080 | FUEL CAP, DIESEL                        |
| 28 | WT040 | TANK, FLOAT 4 GAL HD LINEAR (NO HOLES) | 61 | DE066  | TEE 3/8" STEEL                               | 95  | WT075 | FUEL TANK 7.5 DIESEL CLEAR              |
| 29 | D7520 | PANEL FITTING 3/4" BRASS               | 62 | UP137  | PRESSURE RELIEF 3700 psi BLACK               | 96  | DFE04 | FUEL TANK ELL 1/4                       |
| 30 | FW701 | WASHER FLOAT TANK 1.75 OD 14 GA        | 63 | DH002  | HOSE 3/8" x 14" 5000PSI                      | 97  | DH050 | HOSE 3/8" x 50' 3000 PSI                |
|    |       |  | 64 | BPV20  | FUEL VALVE 220V                              | 98  | VG200 | TRIGGER,GUN INSULATED 4000 PSI          |
| 31 | D5566 | STREET ELL 3/8" BRASS                  | 65 | BPA10  | FUEL PUMP MOD A2V-7116                       | 99  | VW036 | WAND 1/4" x 36" MOLDED GRIP             |
| 32 | D006M | GARDEN HA 3/8" NPT MALE                | 66 | D2044  | NIPPLE 1/4 BRASS                             | 100 | DQ04S | COUPLER 1/4" SOCK FEM                   |
| 33 | D0021 | SCREEN WASHER GARDEN HA                | 67 | BF020  | FUEL FILTER RAYCOR HYDRO TEK                 |     |       |   |
| 34 | HH400 | FLOAT TANK COVER; HINGED               | 68 | BU602  | BURNER , BECKET SM 230V                      |     |       |   |